

## RAINMOON Rain panel - Matte White

41 610 979



- exposed trim parts

### 1x rain panel for ceiling installation

- Rain panel with 2 different spray modes
- AQUACIRCLE RAIN: Circular rain curtain, max. flow rate 6 l/min (at 3 bar)
- TEMPEST RAIN: Natural rain, max. flow rate 5 l/min (at 3 bar)
- Indirect ambient lighting, warm white LED light strip
- Matt white cover, RAL 9003
- Outside diameter 48.8", opening diameter 17.7"
- with anti-scale system
- Outer diameter 1240 mm, opening diameter 450 mm
- Weight 22.5 kg
- Protection rating IP67

**Must be installed with three-way diverter 35 104 970-90 0010 (rough included)**

**Three-way diverter ensures that the product does not exceed the max. flow rate of 2.5 gpm at any setting. It does not permit the use of two functions simultaneously.**

**Three-way diverter trim is sold separately**

**Please refer to Planning Guide for proper sizing and installation methods**

Must be installed with three-way diverter 35 104 970 -90 0010 (rough included)

Three-way diverter ensures that the product does not exceed the max. flow rate of 2.5 gpm at any setting. It does not permit the use of two functions simultaneously.

Three-way diverter trim is sold separately

Please refer to Planning Guide for proper sizing and installation methods

### Required miscellaneous



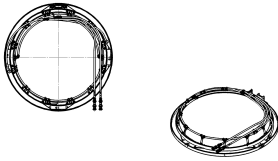
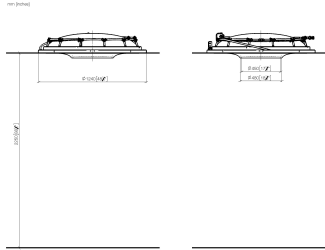
**RAINMOON Concealed ceiling installation box -** 35 610 970-90 0010

- Ceiling installation enclosure 1356 x 1356 x 290 mm
- Opening diameter 1252 mm
- min. recess depth mm
- concealed rough parts

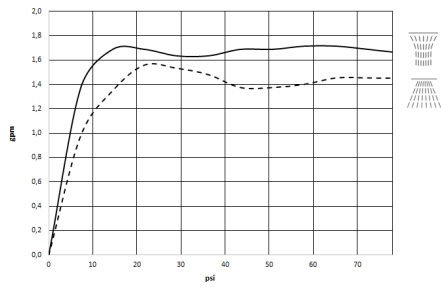


## RAINMOON Rain panel - Matte White

41 610 979



### Flow rate chart



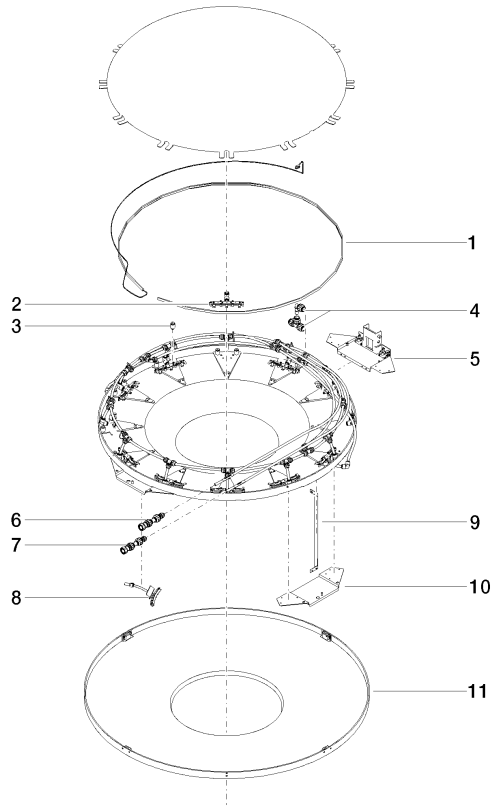
### Codes & Standards

California Energy  
Commission  
(CEC)

UL 1310

**RAINMOON Rain panel - Matte White**

41 610 979



**Spare parts list**

No.	Item Number	Name	Quantity used	Delivery time
1	90 10 01 183 00 90	lamp	1	2
2	90 17 09 056 01 90	jet module	12	60
3	90 18 40 222 00 90	adaptor	24	2
4	90 24 04 321 00 90	threaded connector	1	60
5	90 17 20 211 00 90	joint	1	60
6	90 24 04 346 01 90	connection AQUACIRCLE	1	2
7	90 24 04 346 02 90	connection TEMPEST	1	2
8	90 17 09 057 01 90	jet module	12	2
9	90 17 20 217 00 90	holder	4	60
10	90 17 20 216 00 90	holder	3	60
11	90 11 02 325 00 90	cover	1	2